



# Piccola



## PICCOLA

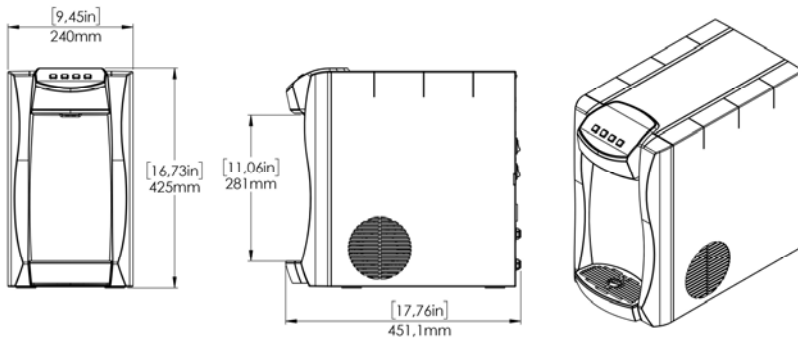
Cooling capacity (Lt/h)	15
Continuous supply (lt)	2
Cold water temperature*	5° - 12° C
Cooling tank (l)	2,75
Pump	Professional membrane carbonation pump
Condensation	Ventilated
Adjustable Thermostat	Yes
Refrigerant gas	R600
Supply	230 V - 50 Hz
Compressor	1/10 HP
Power (mod. C+A)	230W - 1 A
Watts	Ø1/4" (6mm)
Inlet CO <sub>2</sub> Pipe	Ø1/4" (6mm)
Dispensing area height He (mm)	281
Typology	Counter Top
NET WEIGHT Kg	19,5
GROSS WEIGHT Kg	20,5
Dimensions L x W x H (mm)	240 x 451 x 425
Packaging dimensions (mm)	500 x 266 x 489
Dispensing	Cold, room temperature, semi-carbonated and carbonated water (mod. C+A+S) Cold and room temperature water (mod. C+A)
Materials	ABS plastic
Display / Alarms	No acqua, leakage



## OPTIONAL

Filters	UVC out
---------	---------

\*rated at a room temp. of 25°C and inlet water temp. of 20°C



Associations:

Blupura Srl - Italy | T. +39 071 971 0080  
info@blupura.com | www.blupura.com

Blupura USA Inc. - USA | T. +1 305 777 3591  
blupurausa@blupura.com

Certifications:

