

Black Acetal Equal Straight Connector

Connects 2 pipes of equal pipe/tubing size

Overview

The John Guest Equal Straight Connector is designed to connect two pipes/tubes of equal connection size. Quick & Easy to install, the John Guest Air & Pneumatics range ensures air tight pipe connections are made. Available in sizes 3mm to 28mm, our robust range of fittings and pipes are ideal for small, to mid-sized applications such as garages and a variety of other commercial air piping applications.

John guest fittings are rapidly installed using push to fit technology, eliminating the need for tools or sealing products. Our unique collet locking design firmly and securely holds the pipe in place with deforming the pipe or restricting flow. John guest air fittings are fully de-mountable, reducing production downtime for maintenance.

The fittings are available in tough engineered plastic or brass, including a unique water trap that removes moisture from the airline to improve system performance and longevity. Designed to work with our nylon, powder coated aluminium pipe or LLDPE tubing, our versatile solution is also compatible with copper, PEXa and other soft metal pipes.



Features & Benefits

- Strong acetal copolymer fitting with nitrile O-Ring
- Airtight connection with superior flow characteristics
- Instant push-fit connection and demountable without tools
- Secure collet cover prevents accidental disconnection
- Suitable for air and pneumatics piping systems up to 10 bar
- Ideal for air, inert gases and vacuum applications
- Food grade fitting suitable for potable liquids
- Compatible with soft metal or plastic pipe/tubing

Product code	Description	Size	Bag QTY
PMO404E	Equal Straight Connector (Compact)	4mm	10
PMO405E	Equal Straight Connector (Compact)	5mm	10
PMO406E	Equal Straight Connector (Compact)	6mm	10
PMO408E	Equal Straight Connector (Compact)	8mm	10
PMO410E	Equal Straight Connector (Compact)	10mm	10
PMO412E	Equal Straight Connector (Compact)	12mm	10



Equal Straight Connector Metric

Working parameters & specifications

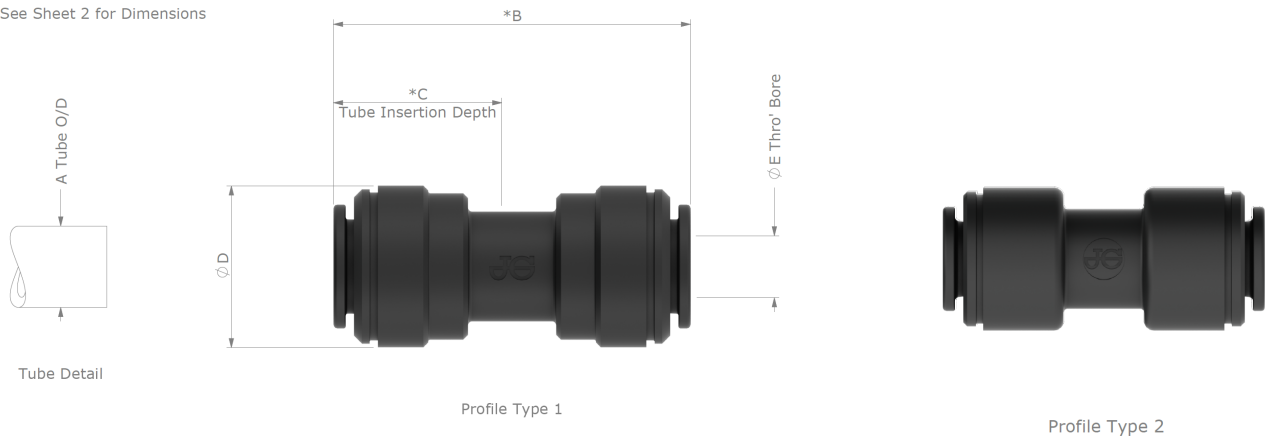
	Maximum & Minimum Temperature	Maximum working pressure, bar
Potable Liquid	1°C -65°C	10 Bar (7 Bar @ 65°C)

Materials	
Body	Acetal Copolymer (Unfilled)
O-Ring	EPDM, Black
Collet	Acetal Copolymer (Unfilled)
Collet Teeth	Stainless Steel 301

Application
Potable Liquid
Water Purification
Water Treatment
Intermittent Hot Water (up to 65°C)
Suitable for Inert Gases & Vacuum Applications

Dimensions – All measurements in mm unless otherwise stated

See Sheet 2 for Dimensions



Product No.	Size	A Tube O/D	B	C	D	E	Profile Type
PM0404E	4mm	4.00+0.05 / -0.07	32.6	14.3	13.0	2.5	2
PM0405E	5mm	5.00+0.05 / -0.07	32.6	14.3	13.0	3.4	2
PM0406E	6mm	6.00+0.05 / -0.10	35.0	15.7	15.0	4.8	1
PM0408E	8mm	8.00+0.05 / -0.10	38.0	16.7	17.8	6.3	2
PM0410E	10mm	10.00+0.05 / -0.10	41.9	19.7	19.9	7.6	1
PM0412E	12mm	12.00+0.05 / -0.10	53.8	25.9	23.0	8.6	1
PM0415E	15mm	15.00+0.05 / -0.10	58.0	27.7	27.0	12.0	1
PM0418E	18mm	18.00+0.05 / -0.10	64.1	31.0	31.1	16.0	1
PM0422E	22mm	22.00+0.05 / -0.10	70.6	34.3	35.5	19.2	1