

Black Acetal Reducing Elbow Connector Metric

Connects 2 pipes or tubing of un-equal pipe size to form a 90°

Overview

John Guest black push-fit acetal reducing elbow push-fit fitting connects two unequal sized metric pipes to form a 90° pipe bend. Fast and simple to install, John Guest push-fit fittings create an instant push-fit connection and leak tight seal without the need for tools, hot works or sealing agents.

The unique collet locking design firmly and securely holds the pipe in place without deforming the pipe or restricting flow. Fittings are corrosion resistant and fully demountable, improving system performance and reducing system downtime during maintenance.

Made from acetal copolymer with a food-grade nitrile O-Ring, the fitting is suitable for foodstuff, potable liquids and inert gases. In accordance with the British Beer & Pub Association Code of Practice, fittings can also be used with N₂/CO₂ and mixed gas dispense lines, as well as air, pneumatic and vacuum applications. All John Guest fittings are manufactured and assembled in the UK.



Features & Benefits

- Strong acetal copolymer fitting with nitrile O-Ring
- Airtight connection with superior flow characteristics
- Instant push-fit connection and demountable without tools
- Secure collet cover prevents accidental disconnection
- Suitable for air and pneumatics piping systems up to 10 bar
- Ideal for air, inert gases and vacuum applications
- Food grade fitting suitable for potable liquids
- Compatible with soft metal or plastic pipe/tubing

| Product code | Description | Size | Bag QTY |
|--------------|--------------------------|-----------|---------|
| PM210604E | Reducing Elbow Connector | 6 x 4mm | 10 |
| PM210804E | Reducing Elbow Connector | 8 x 4mm | 10 |
| PM210806E | Reducing Elbow Connector | 8 x 6mm | 10 |
| PM211004E | Reducing Elbow Connector | 10 x 4mm | 10 |
| PM211006E | Reducing Elbow Connector | 10 x 6mm | 10 |
| PM211008E | Reducing Elbow Connector | 10 x 8mm | 10 |
| PM211208E | Reducing Elbow Connector | 12 x 8mm | 10 |
| PM211210E | Reducing Elbow Connector | 12 x 10mm | 10 |



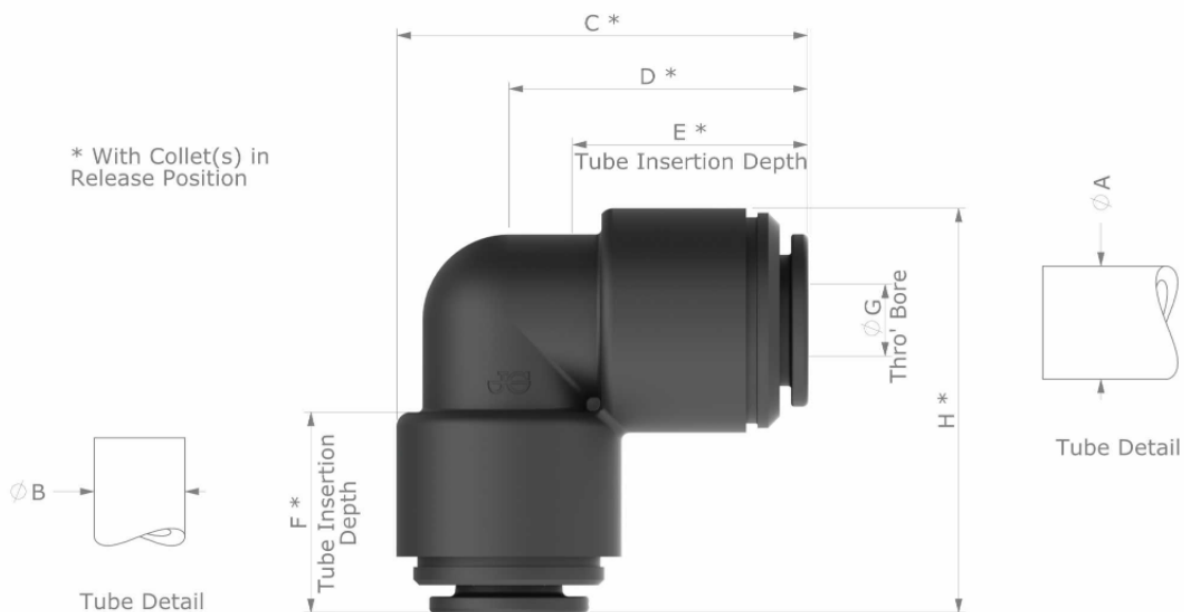
Black Acetal Reducing Elbow Connector

| | Maximum & Minimum Temperature | Maximum working pressure, bar |
|----------------|-------------------------------|-------------------------------|
| Potable Liquid | 1°C -65°C | 10 Bar (7 Bar @ 65°C) |

| Materials | |
|--------------|-----------------------------|
| Body | Acetal Copolymer (Unfilled) |
| O-Ring | EPDM, Black |
| Collet | Acetal Copolymer (Unfilled) |
| Collet Teeth | Stainless Steel 301 |

| Application |
|---|
| Potable Liquid |
| Water Purification |
| Water Treatment |
| Intermittent Hot Water (up to 65°C) |
| Suitable for Inert Gases & Vacuum Applications |

Dimensions – All measurements in mm unless otherwise stated



| Product No. | Description | A - Tube O/D | B - Tube O/D | C | D | E | F | ØG | H | |
|-------------|----------------------|--------------|--------------|-------------|------|------|------|------|------|------|
| PM210604E | 6mm - 4mm Tube O/D | 6mm | 4mm | 27.1 | 19.6 | 15.7 | 14.3 | 2.5 | 27.5 | |
| PM210804E | 8mm - 4mm Tube O/D | 8mm | 4mm | +0.05/-0.07 | 30.0 | 21.0 | 16.7 | 14.3 | 2.5 | 30.0 |
| PM210806E | 8mm - 6mm Tube O/D | 8mm | 6mm | +0.05/-0.10 | 30.0 | 21.0 | 16.7 | 15.7 | 4.8 | 29.7 |
| PM211004E | 10mm - 4mm Tube O/D | 10mm | 4mm | +0.05/-0.07 | 35.2 | 25.3 | 19.7 | 14.3 | 2.5 | 34.9 |
| PM211006E | 10mm - 6mm Tube O/D | 10mm | 6mm | +0.05/-0.10 | 35.2 | 25.3 | 19.7 | 15.7 | 4.8 | 34.5 |
| PM211008E | 10mm - 8mm Tube O/D | 10mm | 8mm | | 35.5 | 25.6 | 19.7 | 16.7 | 6.4 | 34.7 |
| PM211208E | 12mm - 8mm Tube O/D | 12mm | 8mm | | 41.2 | 32.2 | 24.7 | 16.7 | 6.4 | 40.5 |
| PM211210E | 12mm - 10mm Tube O/D | 12mm | 10mm | 43.8 | 33.1 | 24.7 | 19.3 | 7.6 | 42.3 | |

Dimensions in mm