

Polypropylene Speedfit to Speedfit Shut Off Valve

Quickly and safely isolates a fixture or appliance via an integrated 1/4 turn isolation valve

Overview

John Guest push-fit polypropylene Speedfit to Speedfit push-fit shut off valve isolates supply to a fixture or appliance. Fast and simple to install, John Guest valves create an instant push-fit connection and leak tight seal without the need for tools, hot works or sealing agents.

The unique collet locking design firmly and securely holds the pipe in place without deforming the pipe or restricting flow. John Guest push-fit valves are corrosion resistant and fully demountable, improving system performance and reducing system downtime during maintenance.

Manufactured in polypropylene with an EDPM O-Ring, the valve offers greater chemical resistance than the push-fit acetal valve and is suitable for potable water (10 bar at 20°C), intermittent hot water (4 bar at 60°C), water treatment and purification applications. All John Guest fittings are manufactured and assembled in the UK.



Features & Benefits

- Durable polypropylene shut off valve with EDPM O-Ring offers high chemical resistance
- Integral 1/4 turn isolation valve
- Instant push-fit connection and leak tight seal
- Connect, disconnect and reconnect in seconds without tools
- No scale build up improves performance and equipment lifespan
- Superior flow characteristics
- Suitable for potable liquid, intermittent hot water, water treatment and purification applications. Not suitable for compressed air, vacuum, explosive gases, petroleum spirit or other fuel or heating systems.
- Compatible with LLDPE or soft metal pipe/tubing

| Product code | Description | Size |
|--------------|----------------|------|
| PPSV040808W | Shut-off Valve | 1/4" |
| PPSV041212W | Shut-off Valve | 3/8" |
| PPMSV040606W | Shut-off Valve | 6mm |
| PPMSV040808W | Shut-off Valve | 8mm |
| PPMSV041010W | Shut-off Valve | 10mm |
| PPMSV041212W | Shut-off Valve | 12mm |



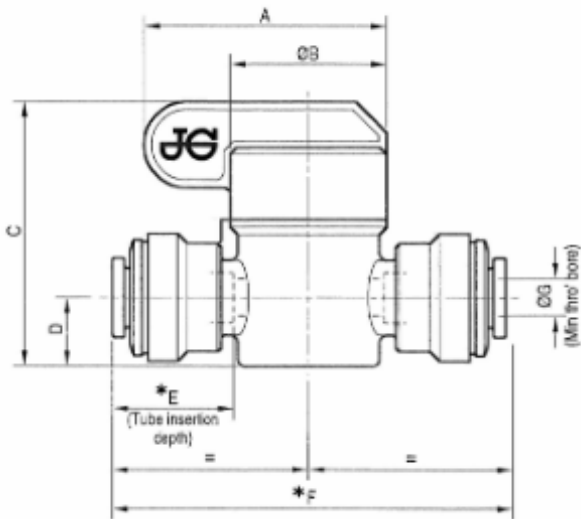
Polypropylene Speedfit to Speedfit Shut Off Valve

| Application | Usual working temperature °C | Maximum working temperature °C | Maximum working pressure, bar |
|--|------------------------------|--------------------------------|-------------------------------|
| Cold Water (indirect and direct mains) | 20 | 20 | 10 |
| Intermittent Hot Water Use | 60 | 60 | 4 |

| Materials | |
|--------------|---------------------|
| Body | Polypropylene |
| O-Ring | EPDM |
| Collet | Polypropylene |
| Collet Teeth | Stainless Steel 301 |

| Application |
|--|
| Potable Liquid |
| Water Treatment & Purification |
| Not Suitable for Compressed Air & Vacuum |

Dimensions – All measurements in mm unless otherwise stated



* With collets in fully released position

| Product No. | Tube Dia. | A | ØB | C | D | *E | *F | ØG |
|-------------|-----------|------|------|------|------|------|------|-----|
| PPSV040808W | 1/4" | 32.0 | 21.0 | 34.0 | 9.0 | 15.2 | 49.6 | 3.8 |
| PPSV041212W | 3/8" | 42.6 | 29.2 | 41.3 | 11.0 | 18.4 | 63.5 | 5.4 |

Dimensions in mm unless stated otherwise